

TS3-EP BAGSEALER



Select Bag Sealers Ltd produces a manual tape bag sealer for a wide range of products and industries. Predominantly designed for the Bakery industry the TS3-EP can also be applied to the Fruit and Vegetable produce market and both the chilled and frozen meat industry.

The easy open tape seal makes it ideal for customers that need the bag to be opened several times and re-sealed in order to maintain freshness of product. The electronic printer allows essential point of tie information such as

trace-ability codes, best before dates, product prices, etc to be printed during the sealing procedure, removing the requirement for addition labels to be applied.



Easy to open and reseal.



Features and Benefits

- ✓ Safe and secure sealing of plastic and paper bags
- ✓ Re-useable, clearly printed, easy open seal
- ✓ The electronic thermal printer enables self chronologically updating print formats to be printed on the seal, maintaining high quality print with both bold and light text.
- ✓ Can be used with a wide range of coloured adhesive tape
- ✓ Low maintenance design with all components easily accessible
- ✓ Optional neck trimmer available

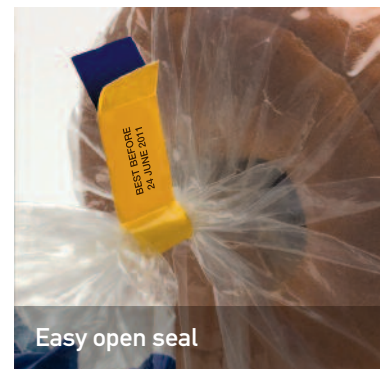
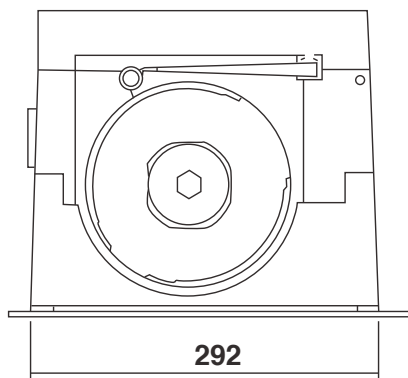
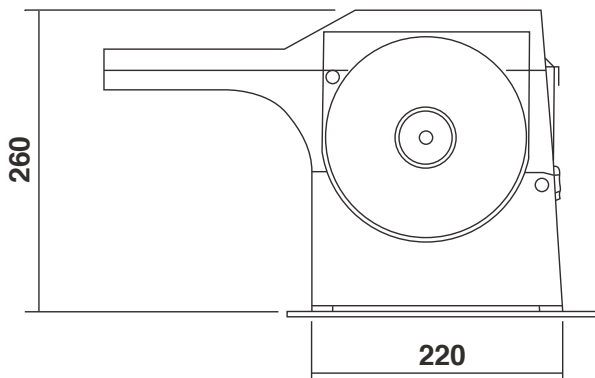
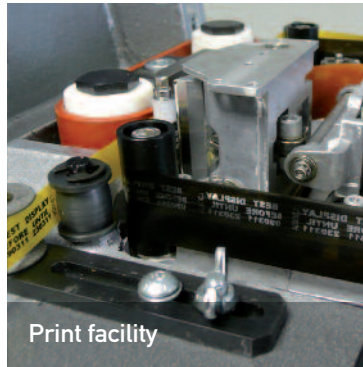
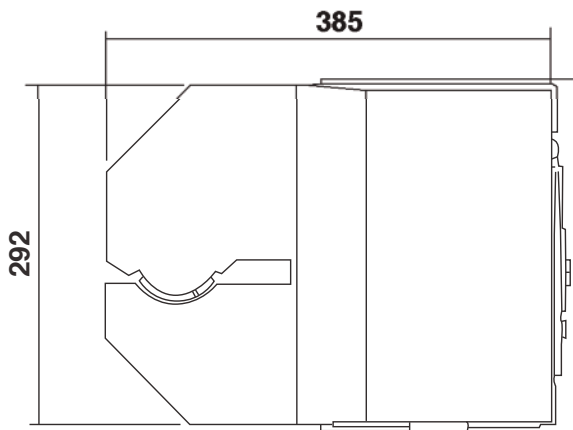
“Over the past 20 years we have perfected the art of tape bag sealing and are now keen to share our expertise globally”

Tom Foster MD

www.selectbagsealers.com



TS3-EP BAGSEALER



Technical Information

Adhesive Tape Size:

12mm wide by up to 330 metre long reels

Paper Tape Size:

11mm wide by up to 164 metre long reels

Thermal Ribbon Size:

22mm wide x 450 metres

Electrical Supply:

24V DC 2A

Machine complies with latest CE regulations



SELECT BAG SEALERS LIMITED

CHENGATE HOUSE, 61 PEPPER ROAD, HUNSLET LEEDS, LS10 2RU, UNITED KINGDOM
Tel: +44 (0)113 277 3169 | Fax: +44 (0)113 270 8733 E-mail: info@selectbagsealers.com

www.selectbagsealers.com

